

Spare parts list

Edition 110303



The control panels are renamed:

New name	Old name
Aristo™ TA4	T4
Aristo™ TA6	T6

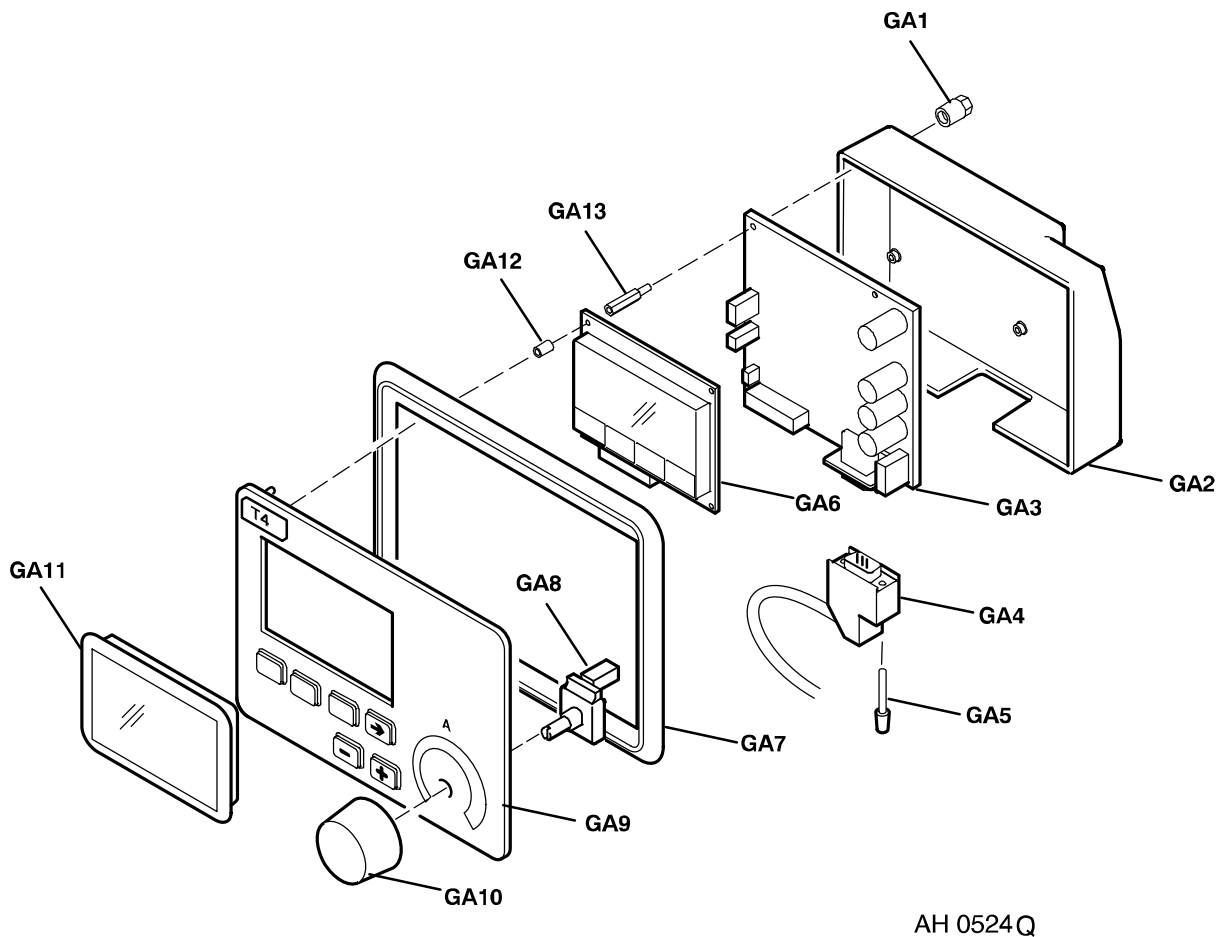
Spare parts are to be ordered through the nearest ESAB agency. Kindly indicate type of unit, serial number, denominations and ordering numbers according to the spare parts list.

Maintenance and repair work should be performed by an experienced person, and electrical work only by a trained electrician. Use only recommended spare parts.

Rights reserved to alter specifications without notice.

C = component designation in the circuit diagram

Item	Qty	Ordering no.	Denomination	Notes	C
	1	0458 535 883	Control panel Aristo™ TA4	Complete, configured	
GA1	4	0458 544 001	Insulation nut		
GA2	1	0458 538 001	Screening box		
GA3	1	0486 819 880	Circuit board	The circuit board must be configured when installed.	1AP1
GA4	1		Connector	9 pole, D-sub. See the power source spare parts list	
GA5	1	0193 052 981	Stud screw		
GA6	1	0193 949 002	Display		1AP2
GA7	1	0458 381 001	Seal		
GA8	1	0193 912 001	Puls generator		
GA9	1	0458 539 002	Operating panel	T4	1AP3
GA10	1	0321 475 893	Knob	Black	
GA10	1	0460 600 536	Knob	Grey	
GA11	1	0458 536 001	Display window		
GA12	4	0394 516 002	Spacer screw	L = 8mm	
GA13	4	0458 537 001	Spacer screw	L = 17mm	



C = component designation in the circuit diagram

Item	Qty	Ordering no.	Denomination	Notes	C
	1	0458 535 885	Control panel Aristo™ TA6	Complete, configured	
HA1	4	0458 544 001	Insulation nut		
HA2	1	0458 538 001	Screening box		
HA3	1	0486 819 880	Circuit board	The circuit board must be configured when installed.	1AP1
HA4	1		Connector	9 pole, D-sub. See the Power source spare parts list	
HA5	1	0193 052 981	Stud screw		
HA6	1	0193 949 002	Display		1AP2
HA7	1	0458 381 001	Seal		
HA8	1	0193 912 001	Pulse generator		
HA9	1	0458 539 003	Operating panel	T6	1AP3
HA10	1	0321 475 893	Knob	Black	
HA10	1	0460 600 536	Knob	Grey	
HA11	1	0458 536 001	Display window		
HA12	4	0394 516 002	Spacer screw	L = 8mm	
HA13	4	0458 537 001	Spacer screw	L = 17mm	

